

Model 602 pH Monitor

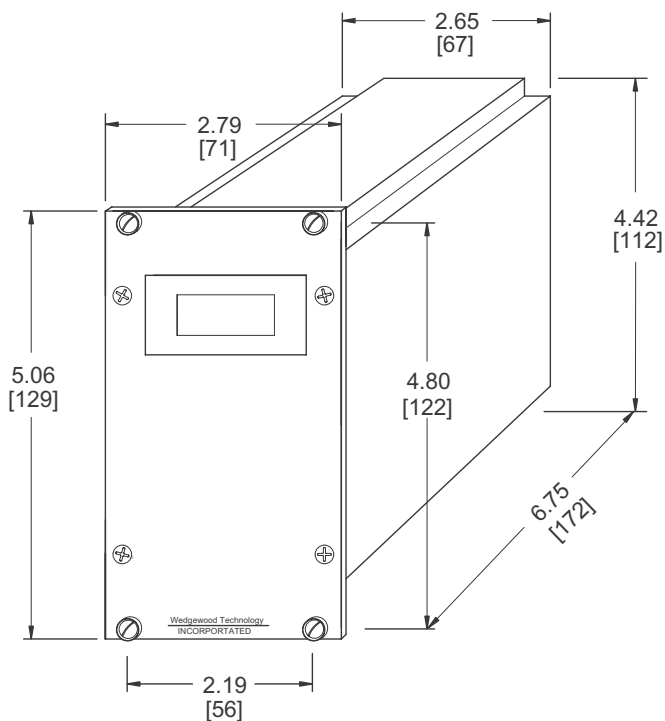


The Model 602 pH monitor is used with either the Model B606 pH flow cell, or the Model B605 pH/conductivity flow cell to measure the pH of process liquids



- Select range of 0-10 pH or 0-14 pH units
- Manual or automatic temperature compensation using Pt 100, Pt 1000 temperature element, or 4-20 mA input (0-100 °C)
- Two analog pH outputs. 4-20 mA and 0-2 Vdc
- Compatible with a wide variety of industrial pH sensors
- Ideally suited for chromatography applications in the biopharmaceutical industry
- Type 4 DIN plug in unit 3U x 14HP x 160mm deep (2.8" W x 5.1" H x 6.7" D) conserves space and simplifies mounting

Model 602	Specifications
Signal inputs	High impedance mV (BNC Connector)
Range	0-10 pH or 0-14 pH selectable range
Accuracy	± 0.01pH, typical 0.05 % of full range with sensor
Signal outputs	4-20 mA, 400 ohm load 0-2 Vdc, 10k ohm load
Power	115, 230 Vac, 50-60 Hz, 4 VA Optional 24 Vdc, 5 W
Operating environment	Temperature 0-55 °C; relative humidity 0-90 %



Dimensions Diagram

602									
A	Power Supply								
B	115 Vac								
D	230 Vac								
D	24 Vdc								
C-	Temperature Range								
E-	0 - 10 pH								
E-	0 - 14 pH								
J	Temperature Compensation Setup								
K	Automatic - current input (from 622)								
L	Automatic - 100 ohm temperature element								
M	Automatic - 1000 ohm temperature element								
M	Manual compensation								
-Q	Cable Type								
-R	Ingold cable (AK9)								
AR	ISI quick disconnect cable								
AQ	GTDJ and OPS71 QD cable (NEMA 6)								
BR	Ingold inpro 3100 w/RTD (VP)								
-N	Ingold DPAS (VP)								
-X	None								
-X	Special request								
F	Cable Length								
M	Feet								
N	Meters								
N	None								
				Enter 3 digit cable code from choices below					
				10 ft ISI quick disconnect: 010					
				25 ft ISI quick disconnect: 025					
				1 m Ingold: 001					
				2 m Ingold: 002					
				3 m Ingold: 003					
				5 m Ingold: 005					
				10 m Ingold: 010					
				20 m Ingold: 020					
				For no cable, enter ---					

Order Code